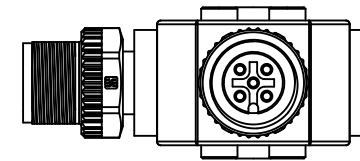
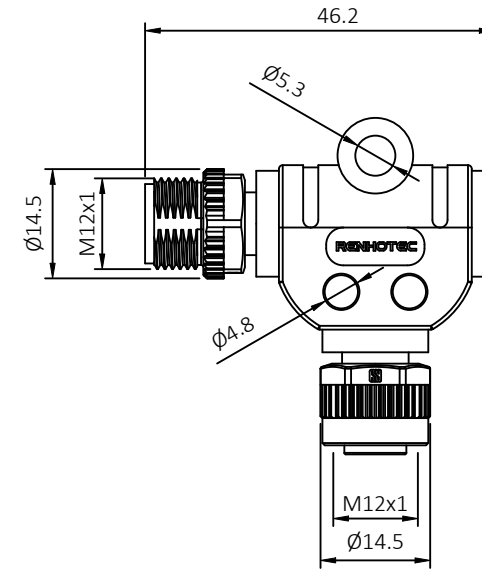
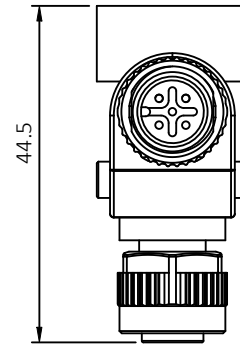
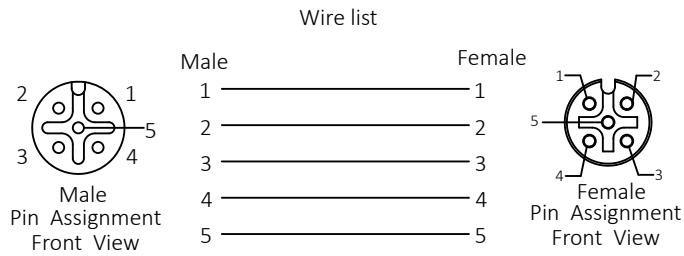




ISSUE	DESCRIPTION	DWN	DATE	APPROVEN
R1.0	First issue	Ding	2024/01/01	JIM.KING



**General Specifications:**

Comply with IEC61076-2-101  
 Connector 1: M12 5P Female x2  
 Connector 2: M12 5P Male  
 Locking: Screw Connection  
 Termination: Solder Cup

**Electrical:**

Rated Voltage: 60V AC/DC  
 Rated Current: 4A  
 Contact Resistance:  $\leq 5m\Omega$   
 Insulation Resistance:  $\geq 100M\Omega$

**Mechanical:**

Mating Cycles: min 500  
 Temperature Range: -25 to 80° C  
 Degree of Protection: IP67

**Material:**

Coupling nut/screw: Zinc Alloy, Electroless Nickel  
 Insulator: PA66 UL94-V0 black  
 Contacts: Brass, Gold Plated  
 Seal: FKM ,Green  
 Body Molding:PVC, Blue

-TOLERANCES- UNLESS OTHERWISE SPECIFIED	<b>RENHOTEC GROUP</b>				
	PART DESCRIPTION: M12 L-Splitter, M12 5P Male-Female				
UNLESS OTHERWISE SPECIFIED TOLERANCES FOR MILLIMETERS ARE: 0.5 - 8mm $\pm 0.20mm$ 8 - 30mm $\pm 0.25mm$ 30 - 120mm $\pm 0.30mm$		P/N: RHT-634-3400			
	Appr: JIM.KING	Date	Scale	Unit	Type
	Check:	2024.01.01	Free	MM	Z
Draw: DING	1/1				