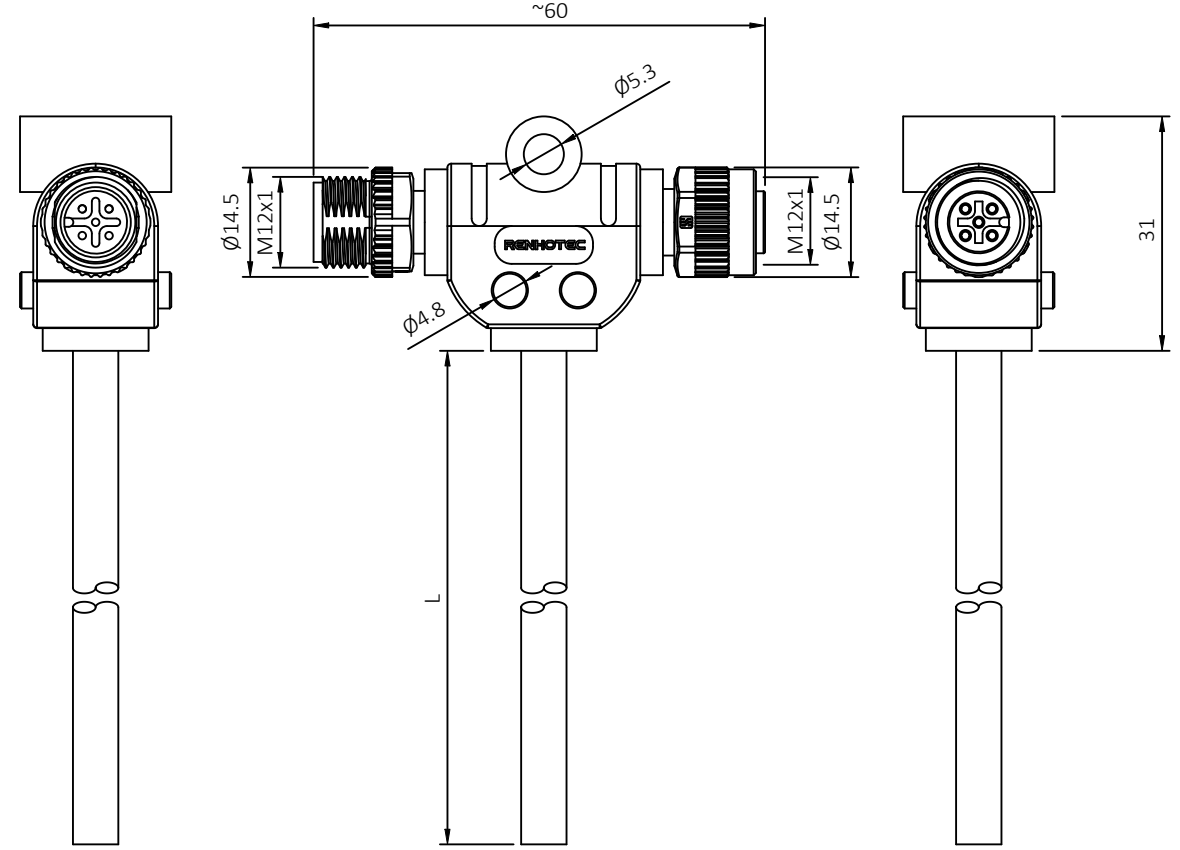
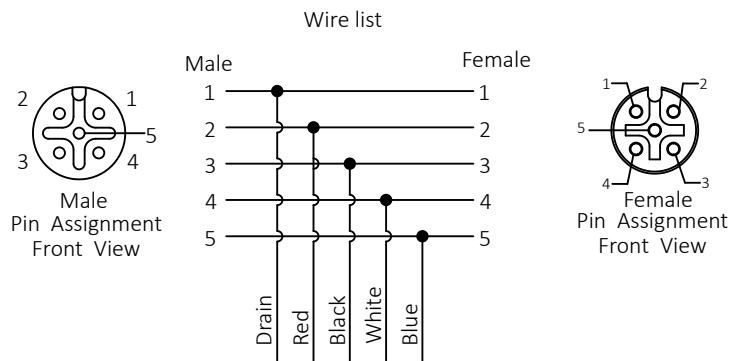




| ISSUE | DESCRIPTION | DWN | DATE | APPROVEN |
|-------|-------------|------|------------|----------|
| R1.0 | First issue | Ding | 2024/01/01 | JIM.KING |



General Specifications:
 Comply with IEC61076-2-101
 Connector 1: M12 5P Female
 Connector 2: M12 5P Male
 Locking: Screw Connection
 Termination: Solder Cup

Electrical:
 Rated Voltage: 60V AC/DC
 Rated Current: 4A
 Contact Resistance: $\leq 5m\Omega$
 Insulation Resistance: $\geq 100M\Omega$

Mechanical:
 Mating Cycles: min 500
 Temperature Range: -25 to 80° C
 Degree of Protection: IP67

Material:
 Coupling nut/screw: Zinc Alloy, Electroless Nickel
 Insulator: PA66 UL94-V0 black
 Contacts: Brass, Gold Plated
 Seal: FKM, Green
 Body Molding: PVC, Blue
 CAN-BUS Cable: (24#*1P+AL)+(22#*1P+AL)+Drain+AL+Braid ,PUR jacket, Violet

| -TOLERANCES- UNLESS OTHERWISE SPECIFIED | RENHOTEC GROUP | | | | | | | | | | |
|---|--|---|------|-------|------|------|------|------------|------|----|---|
| | PART DESCRIPTION: M12 T-Splitter, M12 5P Male-Female With cable | | | | | | | | | | |
| UNLESS OTHERWISE SPECIFIED TOLERANCES FOR MILLIMETERS ARE: 0.5 - 8mm $\pm 0.20mm$ 8 - 30mm $\pm 0.25mm$ 30 - 120mm $\pm 0.30mm$ | Appr: JIM.KING | P/N: RHT-634-3403 | | | | | | | | | |
| | Check: | <table border="1" style="width: 100%;"> <tr> <th>Date</th> <th>Scale</th> <th>Unit</th> <th>Type</th> <th>Page</th> </tr> <tr> <td>2024.01.01</td> <td>Free</td> <td>MM</td> <td>Z</td> <td>1/1</td> </tr> </table> | Date | Scale | Unit | Type | Page | 2024.01.01 | Free | MM | Z |
| Date | Scale | Unit | Type | Page | | | | | | | |
| 2024.01.01 | Free | MM | Z | 1/1 | | | | | | | |
| Draw: DING | | | | | | | | | | | |