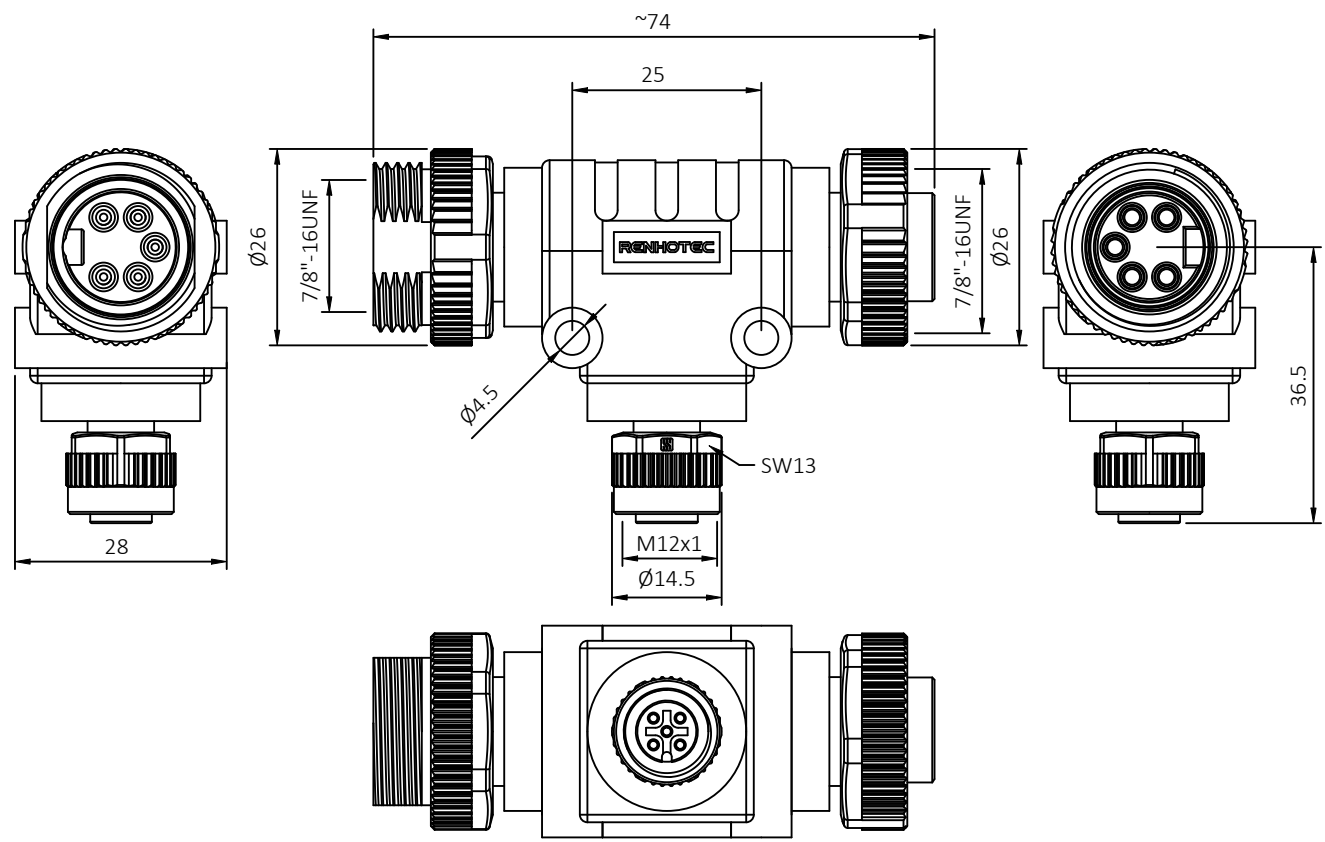
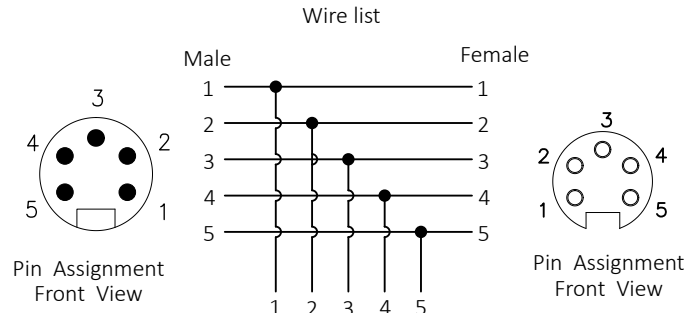




ISSUE	DESCRIPTION	DWN	DATE	APPROVEN
R1.0	First issue	Ding	2024/01/01	JIM.KING



General Specifications:
 Connector 1: 7/8"-16UNF 5P Female
 Connector 2: 7/8"-16UNF 5P Male
 Connector 3: M12 5P Female
 Locking: Screw Connection
 Termination: Solder Cup

Electrical:
 Rated Voltage: 60V AC/DC
 Rated Current: 4A
 Contact Resistance: $\leq 5m\Omega$
 Insulation Resistance: $\geq 100M\Omega$

Mechanical:
 Mating Cycles: min 500
 Temperature Range: -25 to 80° C
 Degree of Protection: IP67

Material:
 Coupling nut/screw: Zinc Alloy, Electroless Nickel
 Insulator: TPU black
 Contacts: Brass, Gold Plated
 Seal: Rubber, black
 Body Molding: PVC, Yellow

-TOLERANCES- UNLESS OTHERWISE SPECIFIED UNLESS OTHERWISE SPECIFIED TOLERANCES FOR MILLIMETERS ARE: 0.5 - 8mm $\pm 0.20mm$ 8 - 30mm $\pm 0.25mm$ 30 - 120mm $\pm 0.30mm$	RENHOTEK GROUP	
	PART DESCRIPTION: 7/8" T-Splitter, 7/8" 5P Male-Female -M12 Female P/N: RHT-634-3394	
Appr: JIM.KING	Check:	Date: 2024.01.01
Draw: DING	Scale: Free	Unit: MM
	Type: Z	Page: 1/1